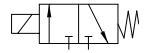


SV73

3-way Universal Balanced Poppet
Diaphragm Isolation Construction



Valcor General Purpose Series



DESCRIPTION

The SV73 series is a 3-way, balanced poppet isolated diaphragm solenoid valve. These valves are designed for the control of corrosive fluids by isolating all the metallic components from the operating media. This series employs two rolling diaphragms, acting both as isolating barriers and as balancing areas. Their high flow and pressure capability allows this series to be used in a wide range of industrial applications.

APPLICATIONS

The SV73 series is suitable for a broad range of industrial applications, including:

- Chemical handling
- Water treatment
- Photo processing/ink handling
- Control of buffer solutions

FEATURES

- Diaphragm isolation construction for use with wide range of fluids
- Bubbletight shut-off
- High flow design
- Direct acting construction
- Mountable in any position

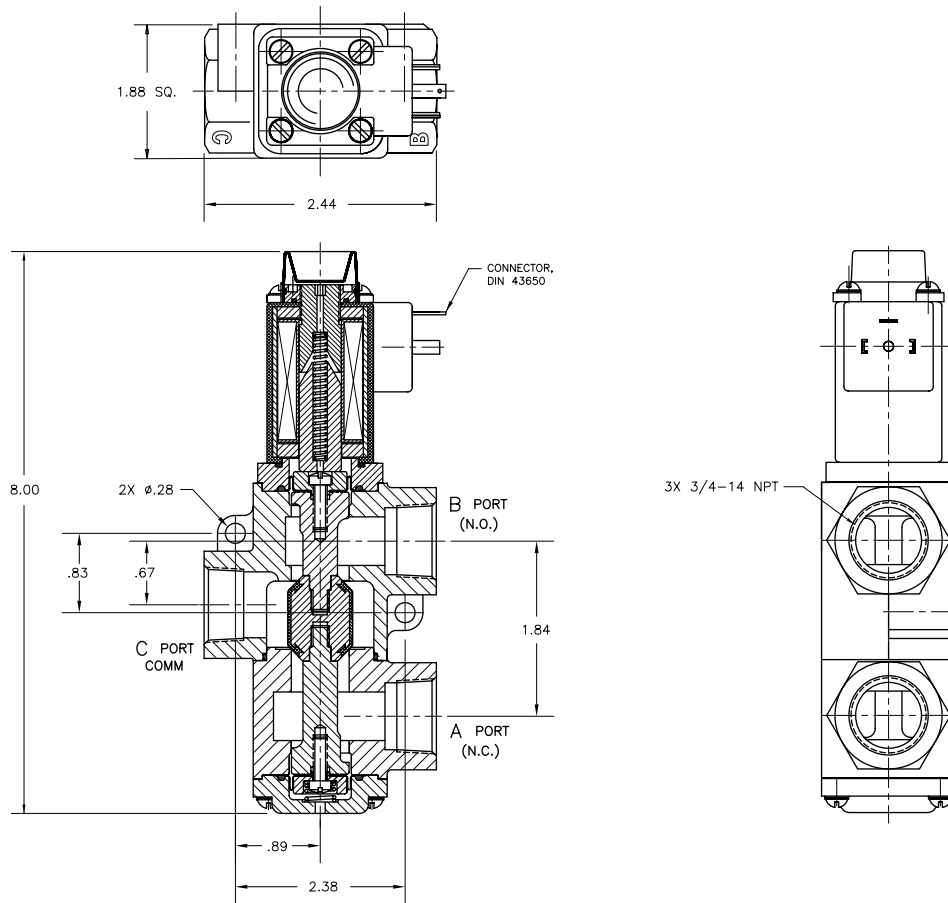


VALCOR SV73 SPECIFICATIONS

Construction

Pump Parts in Contact with Fluid

Material in Contact with Fluid Noryl (GE Plastic), CPVC, EPDM, Santoprene



Specifications

Operating Mode	3-way universal- pressure at any port
Pipe Size (ins.)	3/4" NPT
Flow (Cv)	3.5
Pressure Rating	0-145 PSI
Sealing/Seat	Santoprene
Housing	NEMA 1 is standard, Watertight NEMA 4 available
Available Voltages	115/50-60 Hz & 24/DC
Power	20 Watts
Temperature Ratings	Fluid: 40°F to 185°F Ambient: 40° F to 120°F
Mounting	Mountable in any position. Bottom port rotates 270° in 90° increments

How to specify part numbers

Series Number	Enclosure	Voltage
SV73	Y = DIN	02 = 115/50-60 Hz 16 = 24/DC

Example: SV73Y02 equals SV73 with DIN coil in 115/50-60 Hz.

Note: 115/50-60 Hz version is rectified. DIN connector with built-in rectifier is provided