

# SV833, SV834 & SV836

3-way Normally Closed, Normally Open and Universal  
Direct Acting Solenoid Valves



Valcor General Purpose Series



## DESCRIPTION

These compact 3-way direct acting solenoid valves are available in normally closed, normally open and universal operating modes. Available with 1/8" to 1/4" NPT port connections, this design allows coil replacement without disturbing fluid connections. Valves can be panel mounted to isolate coil connections within an enclosure while fluid connections are located outside. For special applications, contact your Valcor customer service representative.

## APPLICATIONS

The SV83 series are suitable for a broad range of industrial applications. Typical applications include:

- General 3 way control of water, oil, and gas
- Control Panel Assemblies
- Pneumatic and hydraulic cylinder actuation
- Calibration and test stands
- Pilot plant control loops
- Economical choice for OEM applications

## FEATURES

- Direct acting construction designed for high cycle life
- Wide selection of construction materials allow for use on a variety of fluids
- AC and DC solenoid coils in a wide range of standard voltages
- NEMA4 as standard coil enclosure, NEMA7 explosion proof and others available
- Pressures rating of up to 160 psi
- Panel mountable



## VALCOR SV833, SV834 & SV836 SERIES SPECIFICATIONS

### Construction

Operating Mode	Normally Closed: Open when energized, closed when de-energized. Normally Open : Closed when energized, open when de-energized. Universal: Either normally open or normally closed with pressure at any port.
Port Size (in.)	1/8, 1/4
Temperature Ratings	Ambient Temp.-40°F to 150°F max. with Class F Coil 175°F max. with Class H Coil. Fluid Temp: See specifications, next page
Mounting Position	Mounts in any position (Best position is solenoid upright and vertical)
Agency Listings	UL Listed, CSA Approved by order
Options	Manual override, mounting bracket, neon lamp, surge suppressor

#### Valve Parts in Contact with Fluid

Body	Brass, 303 stainless steel
Seals	Viton, Buna N
Internal Metal Parts	303 and 430F stainless steel

### Electrical

Standard Voltages	AC 24V 60Hz AC 110V 50Hz, AC 120V 60Hz AC 220V 50Hz, AC 240V 60Hz DC 12V, DC 24V
Voltage Tolerance	+10% to -15% of applicable voltage
Standard Coil Housings	Standard: Watertight NEMA 4 Options : Explosion proof NEMA 7, DIN, conduit, grommet, open frame, junction box
Coil	Class F and H
Lead Length	24 inch

\*Consult the factory for specifications other than those listed above

### Coil Data

Coil Type		CS3 (for body code 3 & 7)		CS4 (for body code 4 & 8)	
Frequency (Hz)		50	60	50	60
Power (VA)	Inrush	26	22	37	30
	Holding	14	11	18	13
Power Consumption (W)	AC	8		10	
	DC	9		10	

## VALCOR SV833, SV834 & SV836 SERIES SPECIFICATIONS

### Specifications for SV833 Normally Closed

Port Size (NPT) (in.)	Orifice Size (in.)	C <sub>v</sub>	Operating Pressure Differential			Max Fluid Temp °F	Body Code	Model Number	
			Min PSI	Max Pressure (PSI)				Normally Closed	
				Air/ Gas, Water, Lt. Oil				Brass	Stainless Steel
				AC	DC				
Normally Closed					Energized		De-energized		
1/8	1/16	0.09	0	160	100	200	3	SV833GF02N3AC5	---
	3/32	0.15	0	100	50	200	3	SV833GF02N3AC9	---
	1/8	0.26	0	50	30	200	3	SV833GF02N3AD5	---
1/4	1/16	0.09	0	160	100	200	3-7	SV833GF02N3BC5	SV833GF02J7BC5
	3/32	0.15	0	100	50	200	3-7	SV833GF02N3BC9	SV833GF02J7BC9
	1/8	0.31	0	50	30	200	3-7	SV833GF02N3BD5	SV833GF02J7BD5
1/4	1/16	0.09	0	200	160	180	4-8	SV833GF02N4BC5	SV833GF02J8BC5
	3/32	0.15	0	150	114	180	4-8	SV833GF02N4BC9	SV833GF02J8BC9
	1/8	0.31	0	84	60	180	4-8	SV833GF02N4BD5	SV833GF02J8BD5
	11/64	0.38	0	45	24	180	4	SV833GF02N4BD8	---

### Specifications for SV834 Normally Open

Port Size (NPT) (in.)	Orifice Size (in.)	C <sub>v</sub>	Operating Pressure Differential			Max Fluid Temp °F	Body Code	Model Number	
			Min PSI	Max Pressure (PSI)				Normally Open	
				Air/ Gas, Water, Lt. Oil				Brass	Stainless Steel
				AC	DC				
Normally Open					Energized		De-energized		
1/8	1/16	0.09	0	160	100	200	3	SV834GF02N3AC5	---
	3/32	0.15	0	100	50	200	3	SV834GF02N3AC9	---
	1/8	0.26	0	50	30	200	3	SV834GF02N3AD5	---
1/4	1/16	0.09	0	160	100	200	3-7	SV834GF02N3BC5	SV834GF02J7BC5
	3/32	0.15	0	100	50	200	3-7	SV834GF02N3BC9	SV834GF02J7BC9
	1/8	0.31	0	50	30	200	3-7	SV834GF02N3BD5	SV834GF02J7BD5
1/4	1/16	0.09	0	200	160	180	4-8	SV834GF02N4BC5	SV834GF02J8BC5
	3/32	0.15	0	150	114	180	4-8	SV834GF02N4BC9	SV834GF02J8BC9
	1/8	0.31	0	84	60	180	4-8	SV834GF02N4BD5	SV834GF02J8BD5
	11/64	0.38	0	45	24	180	4	SV834GF02N4BD8	---

### Specifications for SV836 Universal

Port Size (NPT) (in.)	Orifice Size (in.)	C <sub>v</sub>	Operating Pressure Differential			Max Fluid Temp °F	Body Code	Model Number	
			Min PSI	Max Pressure (PSI)				Universal	
				Air/ Gas, Water, Lt. Oil				Brass	Stainless Steel
				AC	DC				
Universal					Energized		De-energized		
1/8	1/16	0.09	0	90	50	200	3	SV836GF02N3AC5	---
	3/32	0.15	0	55	40	200	3	SV836GF02N3AC9	---
	1/8	0.26	0	25	20	200	3	SV836GF02N3AD5	---
1/4	1/16	0.09	0	90	50	200	3-7	SV836GF02N3BC5	SV836GF02J7BC5
	3/32	0.15	0	55	40	200	3-7	SV836GF02N3BC9	SV836GF02J7BC9
	1/8	0.31	0	25	20	200	3-7	SV836GF02N3BD5	SV836GF02J7BD5
1/4	1/16	0.09	0	100	80	180	4-8	SV836GF02N4BC5	SV836GF02J8BC5
	3/32	0.15	0	60	50	180	4-8	SV836GF02N4BC9	SV836GF02J8BC9
	1/8	0.31	0	34	30	180	4-8	SV836GF02N4BD5	SV836GF02J8BD5
	11/64	0.38	0	22	11	180	4	SV836GF02N4BD8	---

# VALCOR SV833, SV834 & SV836 SERIES SPECIFICATIONS

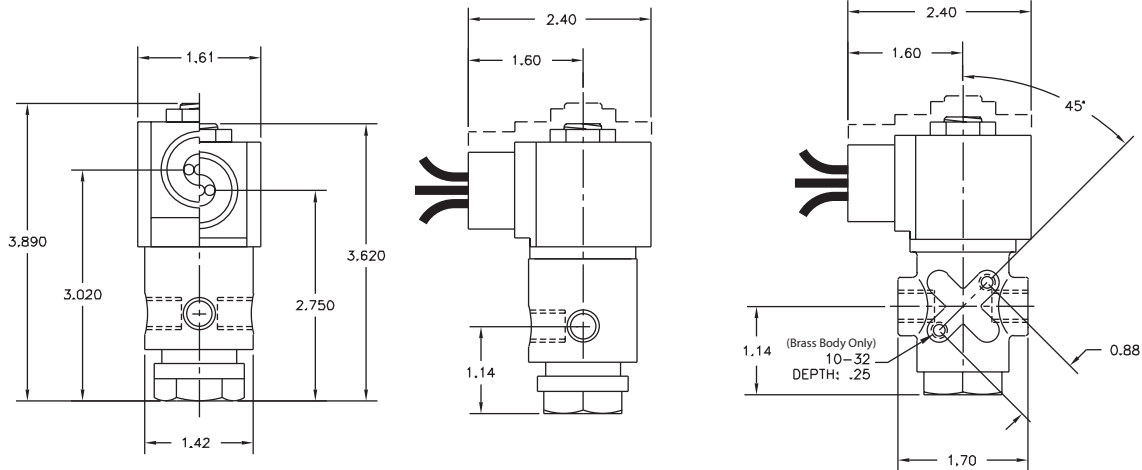
## Part Number Configurator

Example Part Number: **SV833GF02N3A D5**

Numbers 1 thru 5		6	7	8-9		10	11	12	13-14		15						
Series	Operating Mode	Housing		Coil Insulation		Applicable Voltage		Seal Material		Body Code		Port Connection (NPT) (in.)		Orifice Size (in.)		Option	
<b>SV833</b>	Normally Closed	<b>A</b>	Conduit	<b>F</b>	Class F	<b>02</b>	120V/60Hz 110V/50Hz	<b>N</b>	Buna N	<b>3</b>	Brass	<b>A</b>	1/8	<b>C5</b>	1/16	<b>M</b>	Manual Override
		<b>P</b>	Open Frame	<b>H</b>	Class H	<b>04</b>	220V/60Hz 220V/50Hz	<b>V</b>	Viton	<b>4</b>	Brass	<b>B</b>	1/4	<b>C9</b>	3/32		
<b>SV834</b>	Normally Open	<b>B</b>	Grommet			<b>01</b>	24V/60Hz	<b>J</b>	Buna N*	<b>7</b>	303 S.S.			<b>D5</b>	1/8	<b>K</b>	Mounting Bracket
<b>SV836</b>	Universal	<b>X</b>	Explosion Proof NEMA 7			<b>15</b>	12V DC	<b>L</b>	Viton*	<b>8</b>	303 S.S.			<b>D8</b>	11/64		
		<b>S</b>	Junction Box			<b>16</b>	24V DC										
		<b>G</b>	Water-tight NEMA 4														
		<b>Y</b>	DIN														

Notes: \* Standard shading coil material is copper. J and L have silver shading coils.  
Mounting bracket is standard with stainless steel body.

## External Dimensions



Weight: 1.1lb