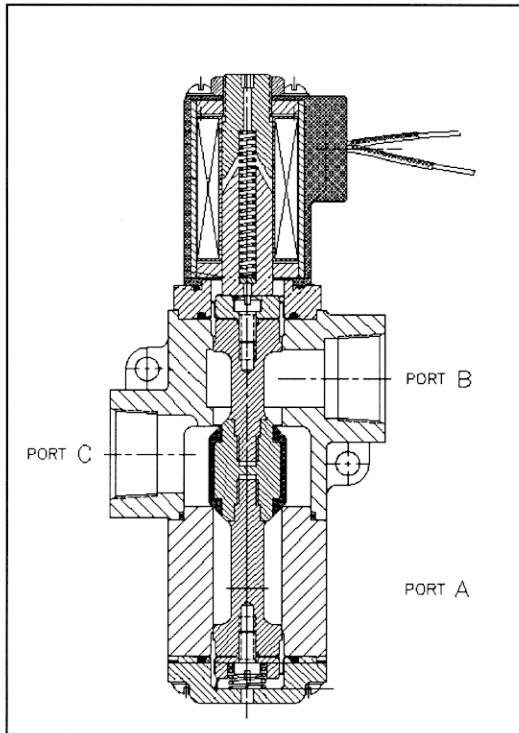


**Valcor Scientific Division**  
**Valcor Engineering Corporation\***  
2 Lawrence Road • Springfield, NJ 07081  
Tel: 973-467-8400 • Fax: 973-467-9592  
e-mail: scientific@valcor.com • http://www.valcor.com

## SV73 3-way Balanced Poppet Inert Solenoid Valve



## Product Specifications

Pressure Rating:	145 PSIG
Vacuum:	-5.7 PSIG
Flow:	Cv of 4.0
Voltage:	115 VAC, 12, 24 VDC
Power:	20 Watts
Temperature:	
Fluid:	40°F to 185°F
Ambient:	40°F to 120°F
Leak Rate:	5 Drop/ min @ 145 PSIG
Wetted Materials*:	Noryl or Ryton Body with EPDM or Viton®
Response Time:	250 msec
Weight:	
Size:	7.5" H x 3.25" W x 1.8" D
Ports:	3/8 " SAE Flareless & 3/4" FNPT

\*Consult factory for other options

## Description:

- The Valcor SV73 series are 3-way, balanced poppet inert solenoid valves. These valves are designed for the control of corrosive fluids by isolating all the metal components from the operating media. This series employs two rolling diaphragms, acting both as isolating barriers and as balancing areas. Their high flow and pressure capability allows them to be used in such applications as chemical dispensing and the control of wash or buffer solutions.
- Inert Construction
- Bubble tight shut-off
- Mountable in any position
- Adjustable bottom port